

# LEVELLING CASTORS

THE **CLASSIC HYGIENIC-ORIENTED DESIGN** FOR MACHINERY AND EQUIPMENT FOR USE IN **DIVERSE WET PRODUCTION ENVIRONMENTS**

THEY OFFER **VALUE FOR MONEY** AND ARE AVAILABLE IN **NUMEROUS VARIETIES AND FUNCTIONS**



# HYGIENIC LEVELLING CASTORS

NGI is the only manufacturer in the world of castors with hygienic levelling spindles. The product group consists of three hygienic-oriented types of castors: A castor with a plate fitting, a castor with levelling spindles and a single bolt hole Ø13.

The castor type with hygienic levelling spindles makes it possible to level your machinery and equipment while maintaining an acceptable hygienic design. All types of castors are an acceptable choice for machinery and equipment in diverse sanitary production environments.

## Product Group Features

- Fork housing made of stainless steel AISI 304/A2, 1.4301.
- Wheel axle with nut
- White castor rim made of polyamide
- Blue tread made from polyurethane
- Stainless steel roller bearings
- Wheel dimensions Ø80, Ø100 and Ø125
- Load capacity tested according to EN 12532



### SCR-B-XH

#### Special Features

- Hygienic levelling swivel castor
- Height variation 184 - 367 mm
- Brake and swivel on wheel
- Double ball bearing swivel head
- Weight load up to 1.500 N

252



### SCR-HX

#### Special Features

- Swivel levelling castor
- Double ball bearing swivel head
- Weight load up to 1.500 N

258



### SCR-XH

#### Special Features

- Hygienic levelling swivel castor
- Height variation 184 - 367 mm
- Double ball bearing swivel head
- Dynamic weight load up to 1.500 N

254



### SCR-B

#### Special Features

- Swivel castor with single bolt hole Ø13
- Brake on swivel and wheel
- Double ball bearing swivel head
- Weight load up to 1.500 N

260



### SCR-B-HX

#### Special Features

- Swivel levelling castor
- Brake on swivel and wheel
- Double ball bearing swivel head
- Weight load up to 1.500 N

256



### SCR

#### Special Features

- Swivel castor with single bolt hole Ø13
- Double ball bearing swivel head
- Weight load up to 1.500 N

262



## SCSB

### Special Features

- Swivel castor with plate fitting
- Brake on swivel and wheel
- Double ball bearing swivel head
- Weight load up to 4.000 N

264



## SCS

### Special Features

- Swivel castor with plate fitting
- Double ball bearing swivel head
- Weight load up to 3.500 N

266



## CS

### Special Features

- Swivel castor with plate fitting
- Locked swivel
- Weight load up to 4.000 N

268



## DECLARATION OF CONFORMITY

This declaration of conformity lists all the directives and standards that NGI adheres to. This ensures that products from NGI are always in compliance with currently valid requirements.

270

**VISIT OUR WEBSITE  
TO LEARN MORE**

[WWW.NGI-GLOBAL.COM/PRODUCTS/  
LEVELLING-CASTORS](http://WWW.NGI-GLOBAL.COM/PRODUCTS/LEVELLING-CASTORS)



# HYGIENIC LEVELLING CASTORS

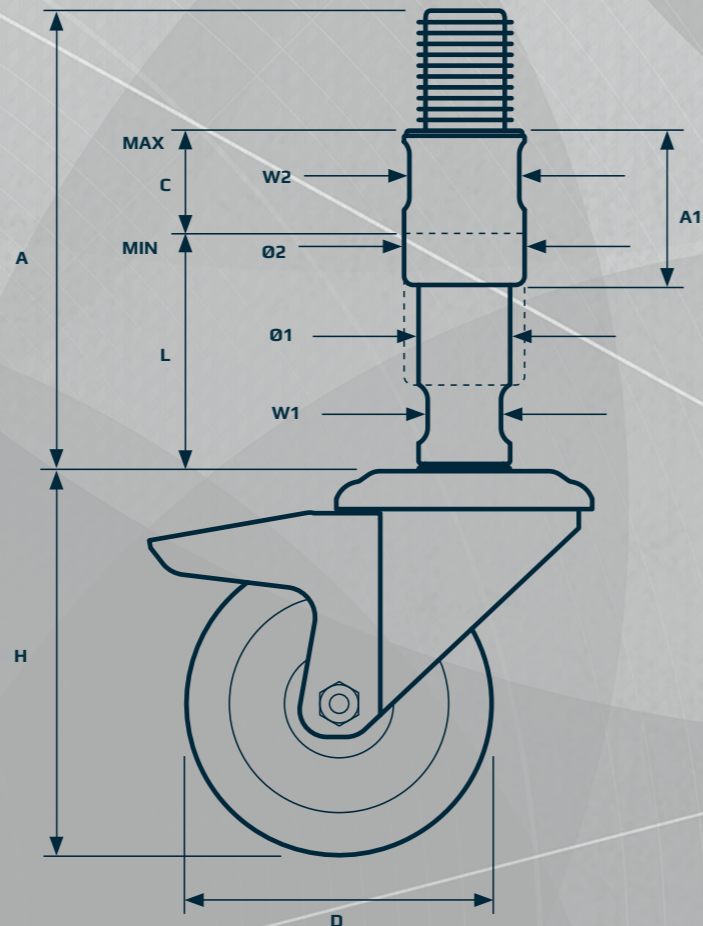
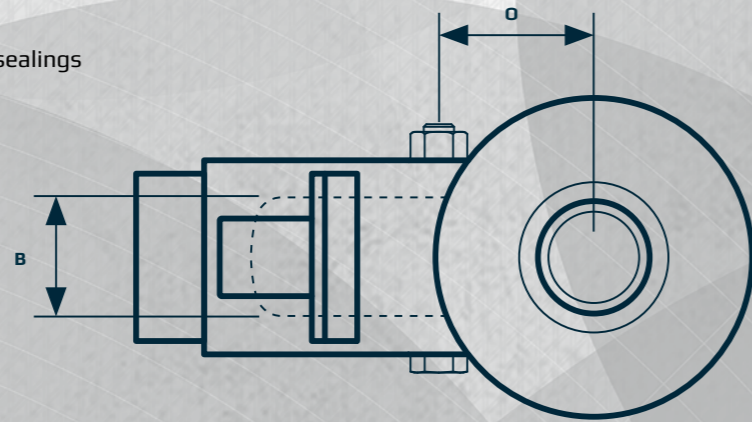
## SCRB-XH

The SCRB-XH hygienic levelling swivel castor is the optimal choice for machinery and equipment in diverse sanitary production environments.

The SCRB-XH is equipped with a brake on swivel and wheel.

The thread on the spindle is covered with a hygienic sleeve, which cannot be overadjusted and secures safety against exposed thread. The sleeve also functions as counter nut.

Spindle parts are 100% hygienically sealed with blue sealings detectable by scanning systems.



# HYGIENIC LEVELLING CASTORS

## SCRB-XH



### CASTOR



### SPINDLE



### SLEEVE



PRODUCT CODE	CASTOR - SPINDLE - SLEEVE
EXAMPLE	SCRB100-XHCM24150 - RHOX2455

TYPE	DIAMETER D [mm]	HEIGHT H [mm]	OFFSET O [mm]	WIDTH B [mm]	DYNAMIC LOAD [N]	ITEM CODE
80	80	108	44,5	32	1.500	SCRB080
100	100	128	41,0	32	1.500	SCRB100
125	125	155	40,0	32	1.500	SCRB125
160	160	195	60,0	40	1.500	SCRB160

THREAD	HEIGHT A [mm]	MIN HEIGHT L [mm]	W1 [mm]	DIAMETER Ø1 [mm]	DYNAMIC LOAD COMPRESSION [N]	ITEM CODE
M20	150	76	17	20	559	XHCM1220150
M20	210	106	17	20	399	XHCM1220210
M24	150	76	19	24	958	XHCM1224150
M24	210	106	19	24	843	XHCM1224210
M30	150	76	24	30	1928	XHCM1230150
M30	210	106	24	30	1700	XHCM1230210
M36	150	76	30	36	3366	XHCM1236150
M36	210	106	30	36	2975	XHCM1236210

THREAD	W2 [mm]	DIAMETER Ø2 [mm]	HEIGHT A1 [mm]	ADJUSTMENT C [mm]	ITEM CODE
M20	27	29,7	50	36	RHOX2050
M20	27	29,7	80	66	RHOX2080
M24	30	33,0	50	36	RHOX2450
M24	30	33,0	80	66	RHOX2480
M30	36	39,5	50	36	RHOX3050
M30	36	39,5	80	66	RHOX3080
M36	46	49,5	50	36	RHOX3650
M36	46	49,5	80	66	RHOX3680

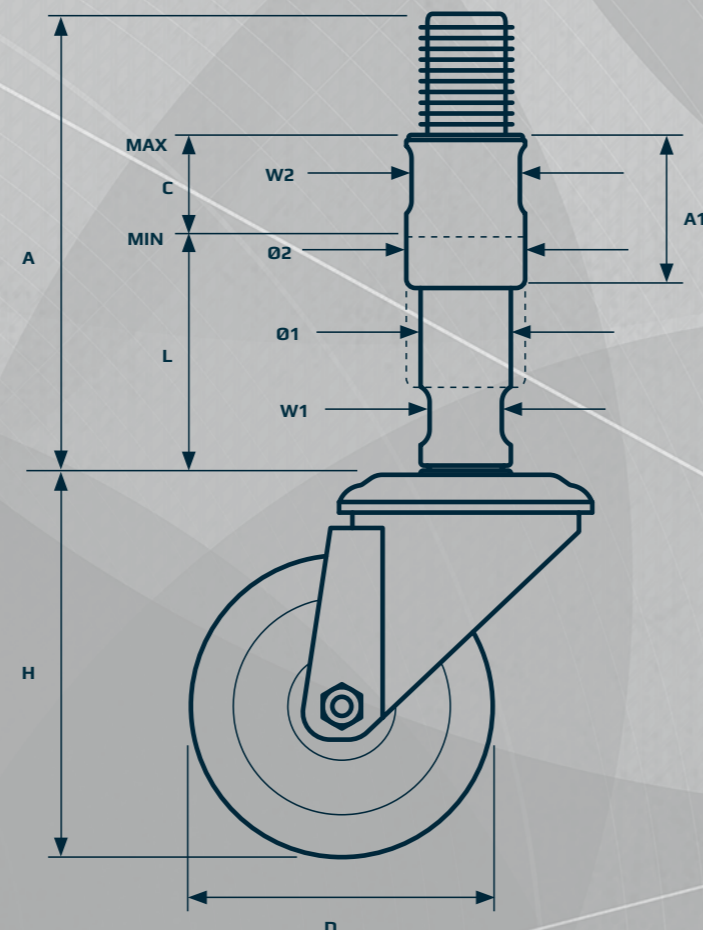
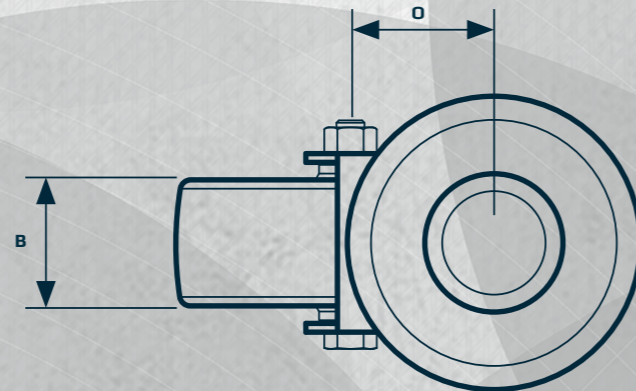
Total height = A + H  
 Minimum usable height = H + L  
 Maximum usable height = H + L + C  
 Maximum nominal load = Lowest value for castor or spindle  
 Tolerance of total height = +/-1,5 mm



# HYGIENIC LEVELLING CASTORS SCR-XH

The design and patent protected SCR-XH hygienic levelling swivel castor is the optimal choice for machinery and equipment in diverse sanitary production environments.

Spindle parts are 100% hygienically sealed with blue sealings detectable by scanning systems.



# HYGIENIC LEVELLING CASTORS SCR-XH



## CASTOR



## SPINDLE



## SLEEVE



PRODUCT CODE	CASTOR - SPINDLE - SLEEVE
EXAMPLE	SCR100- XHCM1220150 - RHOX2050

TYPE	DIAMETER D [mm]	HEIGHT H [mm]	OFFSET O [mm]	WIDTH B [mm]	DYNAMIC LOAD [N]	ITEM CODE
80	80	108	44,5	32	1.000	SCR080
100	100	128	41,0	32	1.000	SCR100
125	125	155	40,0	32	1.500	SCR125
160	160	195	60,0	40	1.500	SCR160

THREAD	HEIGHT A [mm]	MIN HEIGHT L [mm]	W1 [mm]	DIAMETER Ø1 [mm]	DYNAMIC LOAD COMPRESSION [N]	ITEM CODE
M20	150	76	17	20	559	XHCM1220150
M20	210	106	17	20	399	XHCM1220210
M24	150	76	19	24	958	XHCM1224150
M24	210	106	19	24	843	XHCM1224210
M30	150	76	24	30	1928	XHCM1230150
M30	210	106	24	30	1700	XHCM1230210
M36	150	76	30	36	3366	XHCM1236150
M36	210	106	30	36	2975	XHSM1236210

THREAD	W2 [mm]	DIAMETER Ø2 [mm]	HEIGHT A1 [mm]	ADJUSTMENT C [mm]	ITEM CODE
M20	27	29,7	50	36	RHOX2050
M20	27	29,7	80	66	RHOX2080
M24	30	33,0	50	36	RHOX2450
M24	30	33,0	80	66	RHOX2480
M30	36	39,5	50	33	RHOX3050
M30	36	39,5	80	63	RHOX3080
M36	46	49,5	50	33	RHOX3650
M36	46	49,5	80	63	RHOX3680

Total height = A + H  
 Minimum usable height = H + L  
 Maximum usable height = H + L + C  
 Maximum nominal load = Lowest value for castor or spindle  
 Tolerance of total height = +/-1,5 mm



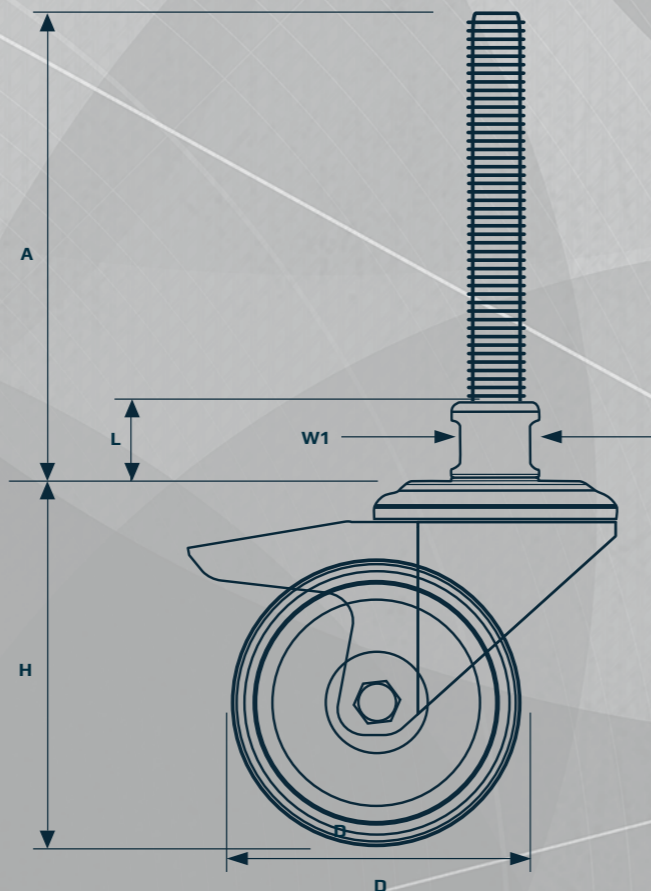
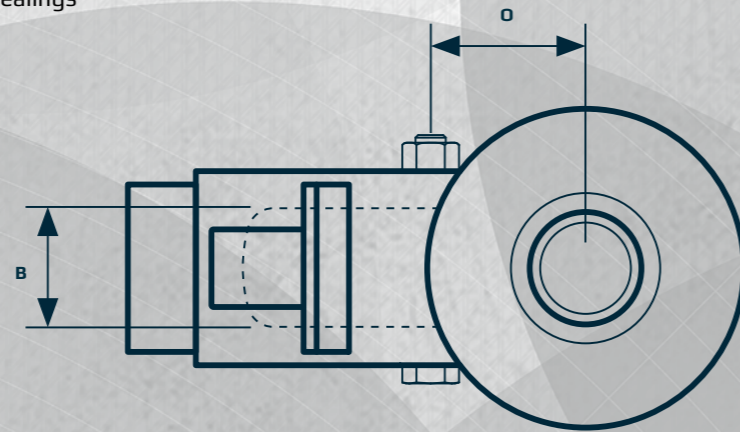
# HYGIENIC LEVELLING CASTORS

## SCRB-HX

The SCRB-HX levelling swivel castor is the optimal choice for machinery and equipment in diverse production environments.

The SCRB-HX is equipped with a horizontal and vertical brake, which totally locks the position of the castor.

Spindle parts are 100% hygienically sealed with blue sealings detectable by scanning systems.



# HYGIENIC LEVELLING CASTORS

## SCRB-HX



PRODUCT CODE **CASTOR - SPINDLE**

EXAMPLE **SCRB100-HXCM24150**

### CASTOR



TYPE	DIAMETER D [mm]	HEIGHT H [mm]	OFFSET O [mm]	WIDTH B [mm]	DYNAMIC LOAD [N]	ITEM CODE
80	80	108	44,5	32	1.500	SCRB080
100	100	128	41,0	32	1.500	SCRB100
125	125	155	40,0	32	1.500	SCRB125
160	160	195	60,0	40	1.500	SCRB150

### SPINDLE



TYPE ▶	70	100	150	180	230	310	W1 [mm]
THREAD	[N]	[N]	[N]	[N]	[N]	[N]	
M20	696	634	542	474	278	134	24
M24	1176	1088	931	869	686	333	24
M30	2369	2190	1880	1750	1595	1065	24
HEIGHT ▶ A [mm]	67	96	162	195	243	325	



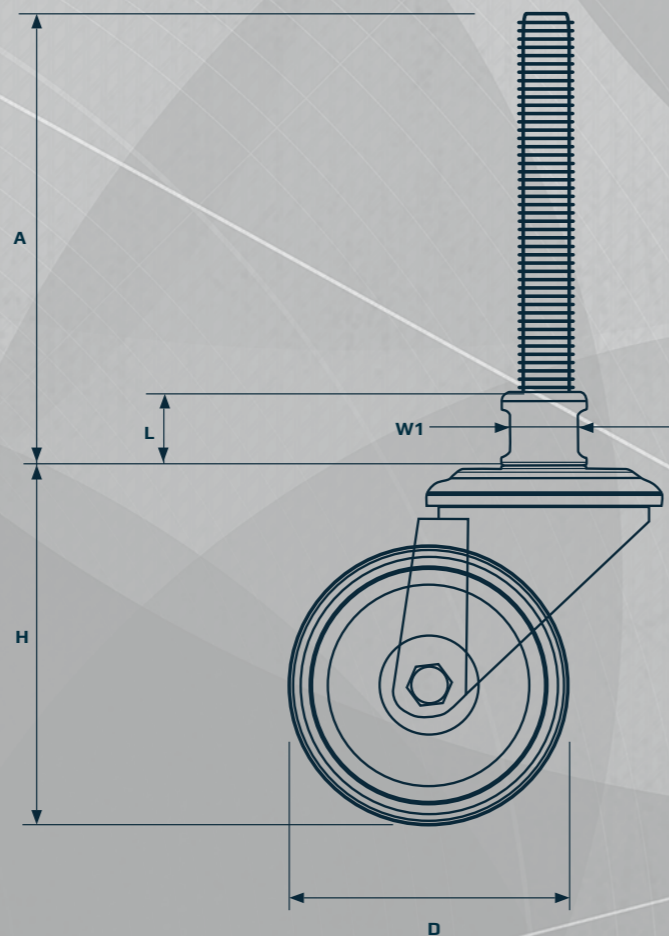
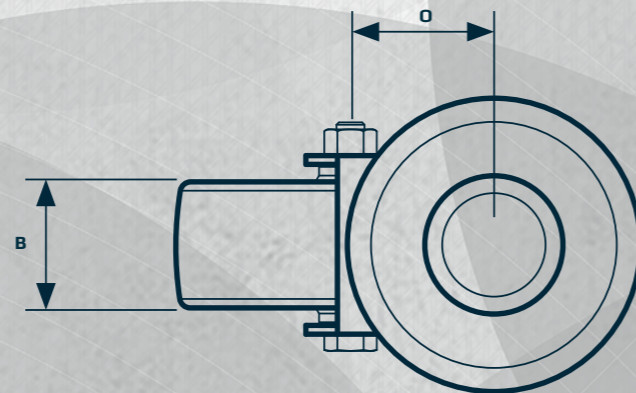
Total height = A + H  
 Minimum usable height = H + L  
 Maximum usable height = A + H - thread dimension  
 Maximum nominal load = Lowest value for castor or spindle  
 Tolerance of total height = +/-1,5 mm



# HYGIENIC LEVELLING CASTORS SCR-HX

The SCR-HX hygienic levelling swivel castor is the optimal choice for machinery and equipment in diverse production environments.

Spindle parts are 100% hygienically sealed with blue sealings detectable by scanning systems.



# HYGIENIC LEVELLING CASTORS SCR-HX



## CASTOR



## SPINDLE



PRODUCT CODE	CASTOR - SPINDLE
EXAMPLE	SCR100- HXCM1220150

TYPE	DIAMETER D [mm]	HEIGHT H [mm]	OFFSET O [mm]	WIDTH B [mm]	DYNAMIC LOAD [N]	ITEM CODE
80	80	108	44,5	32	1.000	SCR80
100	100	128	41,0	32	1.000	SCR100
125	125	155	40,0	32	1.500	SCR125
160	160	195	60,0	40	1.500	SCR160

TYPE ▶	70	100	150	180	230	310	W1 [mm]
THREAD	[N]	[N]	[N]	[N]	[N]	[N]	
M20	696	634	542	474	278	134	24
M24	1176	1088	931	869	686	333	24
M30	2369	2190	1880	1750	1595	1065	24
HEIGHT A [mm]	67	96	162	195	243	325	

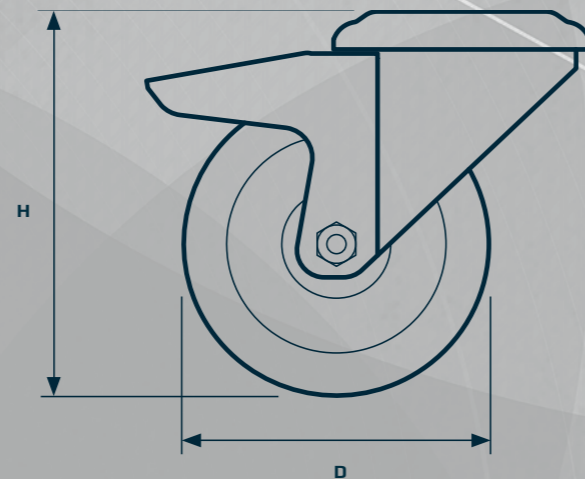
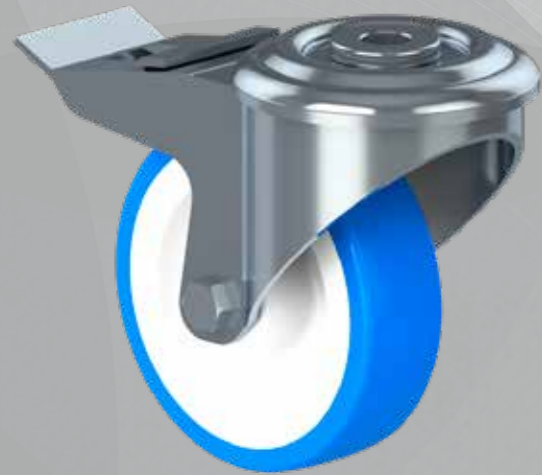
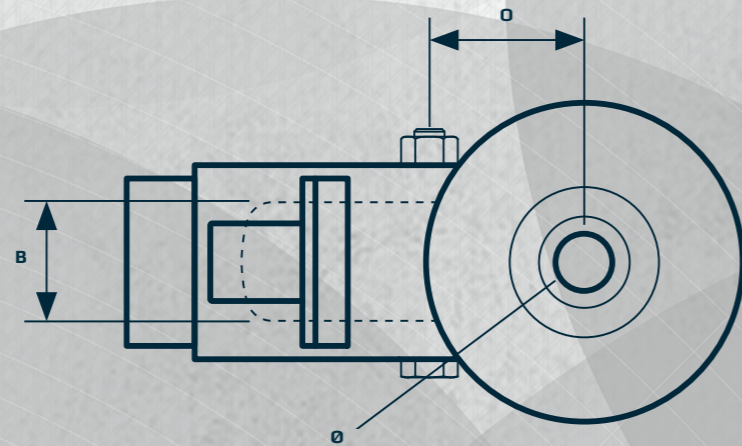
Total height = A + H  
 Minimum usable height = H + L  
 Maximum usable height = A + H - thread dimension  
 Maximum nominal load = Lowest value for castor or spindle  
 Tolerance of total height = +/-1,5 mm



# HYGIENIC CASTORS SCRB

The SCRБ swivel castor with round mounting is the optimal choice for machinery and equipment in diverse production environments.

The SCRБ is equipped with a brake on swivel and wheel.



# HYGIENIC CASTORS SCRБ

## CASTOR

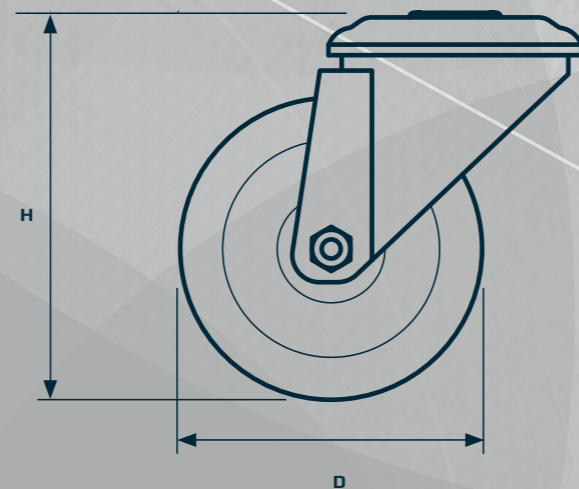
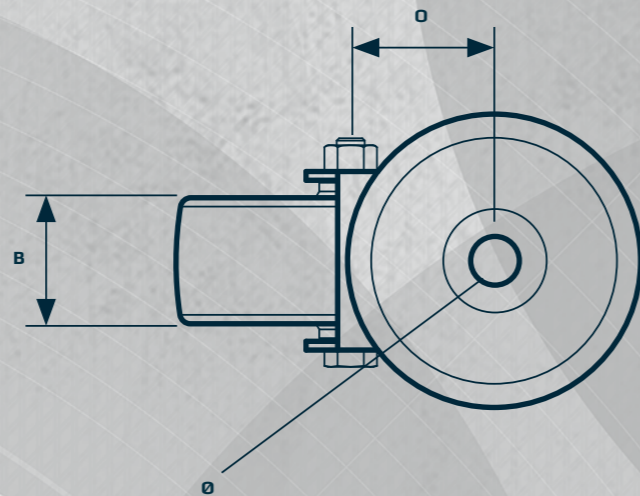
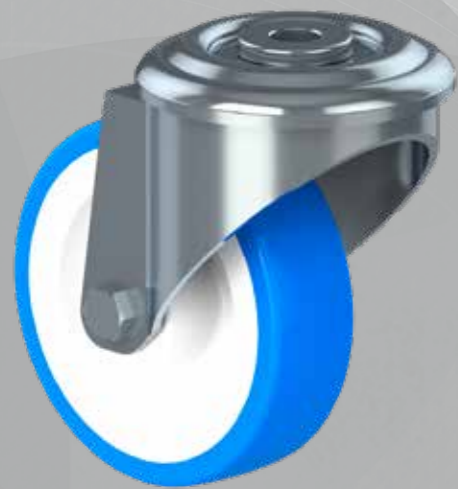


TYPE	DIAMETER D [mm]	HEIGHT H [mm]	OFFSET O [mm]	WIDTH B [mm]	HOLE DIAMETER Ø [mm]	DYNAMIC LOAD [N]	ITEM CODE
80	80	108	44,5	32	13	1.500	SCRБ080
100	100	128	41,0	32	13	1.500	SCRБ100
125	125	155	40,0	32	13	1.500	SCRБ125
160	160	195	60,0	40	13	1.500	SCRБ160



# HYGIENIC CASTORS SCR

The SCR swivel castor with round mounting is the optimal choice for machinery and equipment in diverse production environments.



# HYGIENIC CASTORS SCR

## CASTOR



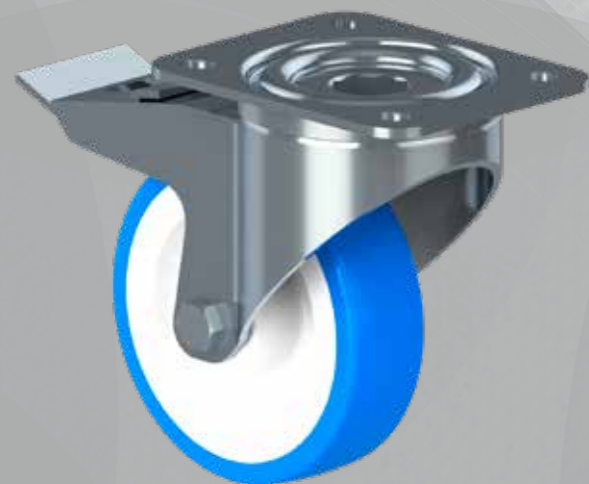
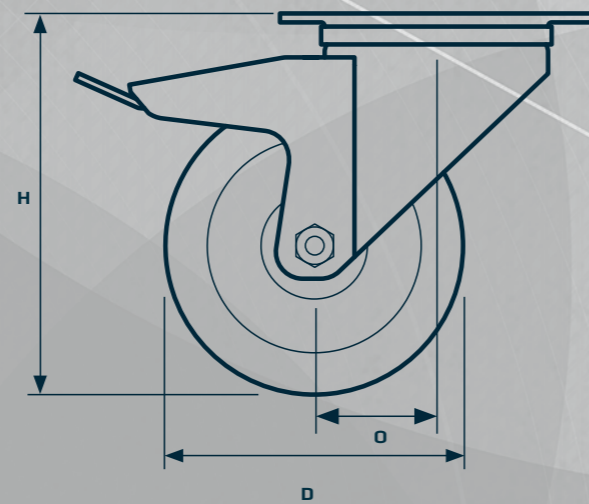
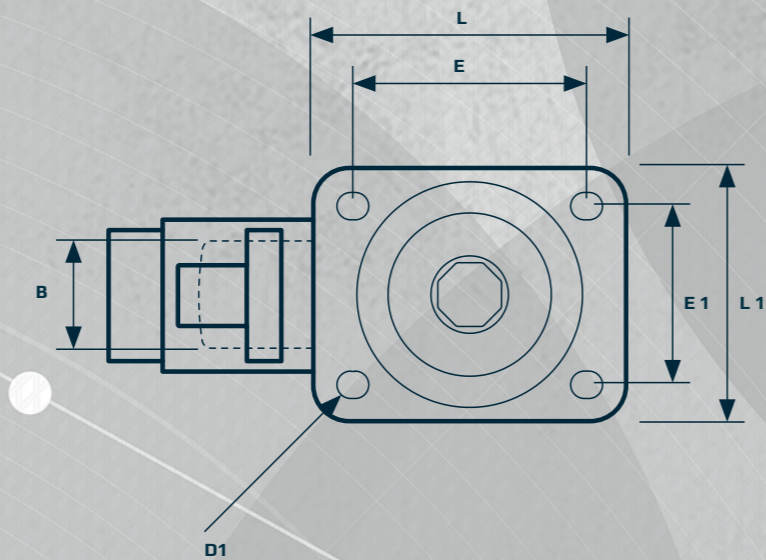
TYPE	DIAMETER D [mm]	HEIGHT H [mm]	OFFSET O [mm]	WIDTH B [mm]	HOLE DIAMETER Ø [mm]	DYNAMIC LOAD [N]	ITEM CODE
80	80	108	44,5	32	13	1.000	SCR080
100	100	128	41,0	32	13	1.000	SCR100
125	125	155	40,0	32	13	1.500	SCR125
160	160	195	60,0	40	13	1.500	SCR160

# HYGIENIC CASTORS

## SCSB

The SCSB hygienic swivel castor with a fixing plate is the optimal choice for machinery and equipment in diverse sanitary production environments.

The SCSB is equipped with a brake on swivel and wheel.



# HYGIENIC CASTORS

## SCSB

### CASTOR



TYPE	DIAMETER D [mm]	HEIGHT H [mm]	OFFSET O [mm]	WIDTH B [mm]	DYNAMIC LOAD [N]	ITEM CODE
80	80	108	44,5	32	1.500	SCSB080
100	100	128	41,0	32	1.500	SCSB100
125	125	155	40,0	32	1.500	SCSB125
125HD	125	161	55	38	3.000	SCSB125HD
160	160	200	55	40	3.500	SCSB160
200	200	240	55	46	4.000	SCSB200

### FIXING PLATE

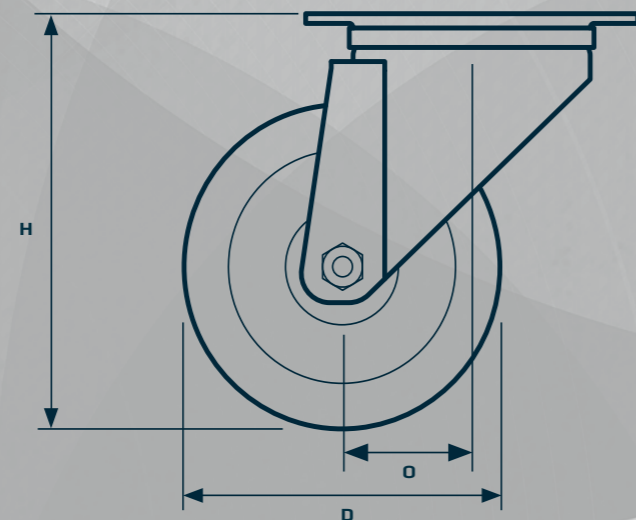
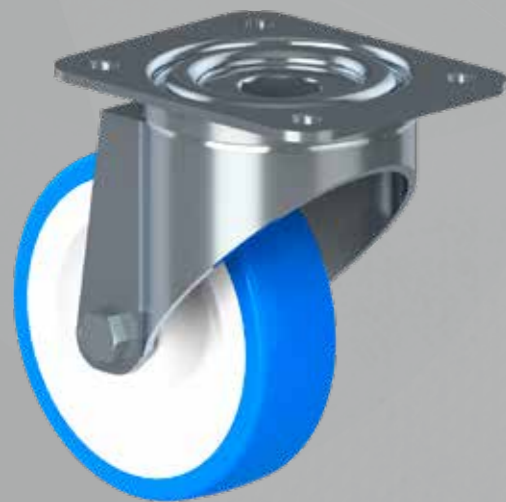
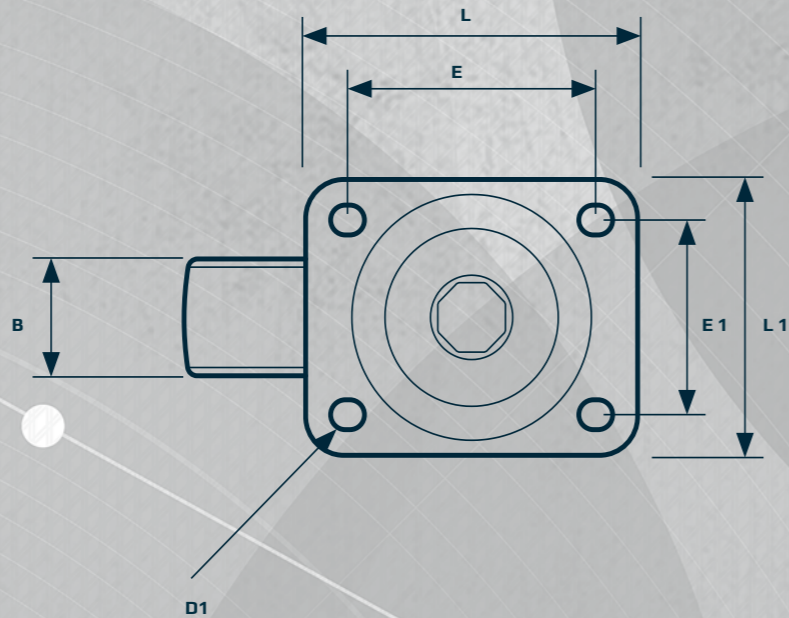


TYPE	LENGTH L [mm]	LENGTH L1 [mm]	HOLE POSITION E [mm]	HOLE POSITION E1 [mm]	HOLE DIAMETER D1 [mm]
80	105	85	80	60	9
100	105	85	80	60	9
125	105	85	80	60	9
125HD	137	105	105	80	11
160	137	105	105	80	11
200	137	105	105	80	11

# STAINLESS INDUSTRIAL CASTORS

## SCS

The SCS hygienic swivel castor with a fixing plate is the optimal choice for machinery and equipment in diverse sanitary production environments.



# STAINLESS INDUSTRIAL CASTORS

## SCS

### CASTOR



TYPE	DIAMETER D [mm]	HEIGHT H [mm]	OFFSET O [mm]	WIDTH B [mm]	DYNAMIC LOAD [N]	ITEM CODE
80	80	108	44,5	32	1.000	SCS080
100	100	128	41,0	32	1.500	SCS100
125	125	155	40,0	32	2.000	SCS125
125HD	125	161	55,0	38	3.000	SCS125HD
160	160	200	55,0	40	3.500	SCS160

### FIXING PLATE

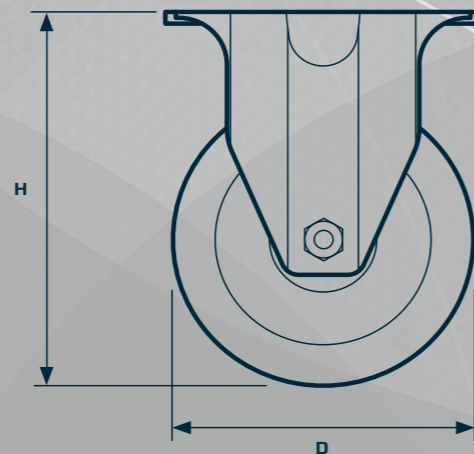
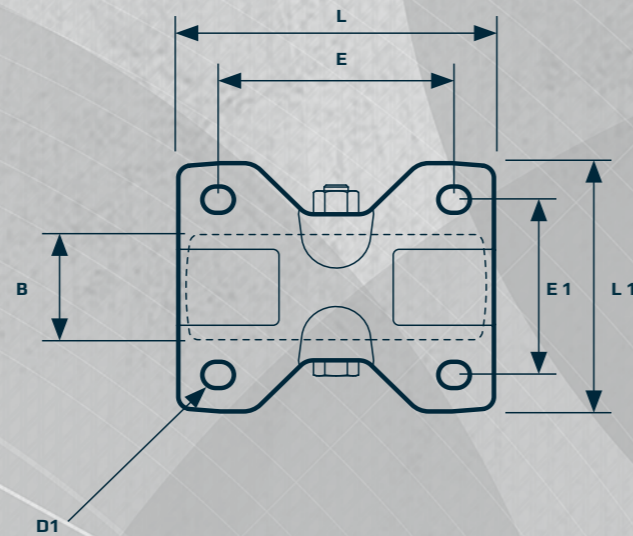


TYPE	LENGTH L [mm]	LENGTH L1 [mm]	HOLE POSITION E [mm]	HOLE POSITION E1 [mm]	HOLE DIAMETER D1 [mm]
80	105	85	80	60	9
100	105	85	80	60	9
125	105	85	80	60	9
125HD	137	105	105	80	11
160	137	105	105	80	11

# STAINLESS INDUSTRIAL CASTORS

## CS

The CS hygienic fixed castor is the optimal choice for machinery and equipment in diverse sanitary production environments.



# STAINLESS INDUSTRIAL CASTORS

## CS

### CASTOR



TYPE	DIAMETER D [mm]	HEIGHT H [mm]	WIDTH B [mm]	DYNAMIC LOAD [N]	ITEM CODE
80	80	108	32	1.000	CS080
100	100	128	32	1.500	CS100
125	125	155	32	2.000	CS125
125HD	125	161	38	3.000	CS125HD
160	160	200	40	3.500	CS160
200	200	240	46	4.000	CS200

### FIXING PLATE



TYPE	LENGTH L [mm]	LENGTH L1 [mm]	HOLE POSITION E [mm]	HOLE POSITION E1 [mm]	HOLE DIAMETER D1 [mm]
80	103	85	80	60	9
100	103	85	80	60	9
125	103	85	80	60	9
125HD	137	115	105	80	11
160	137	115	105	80	11
200	137	115	105	80	11

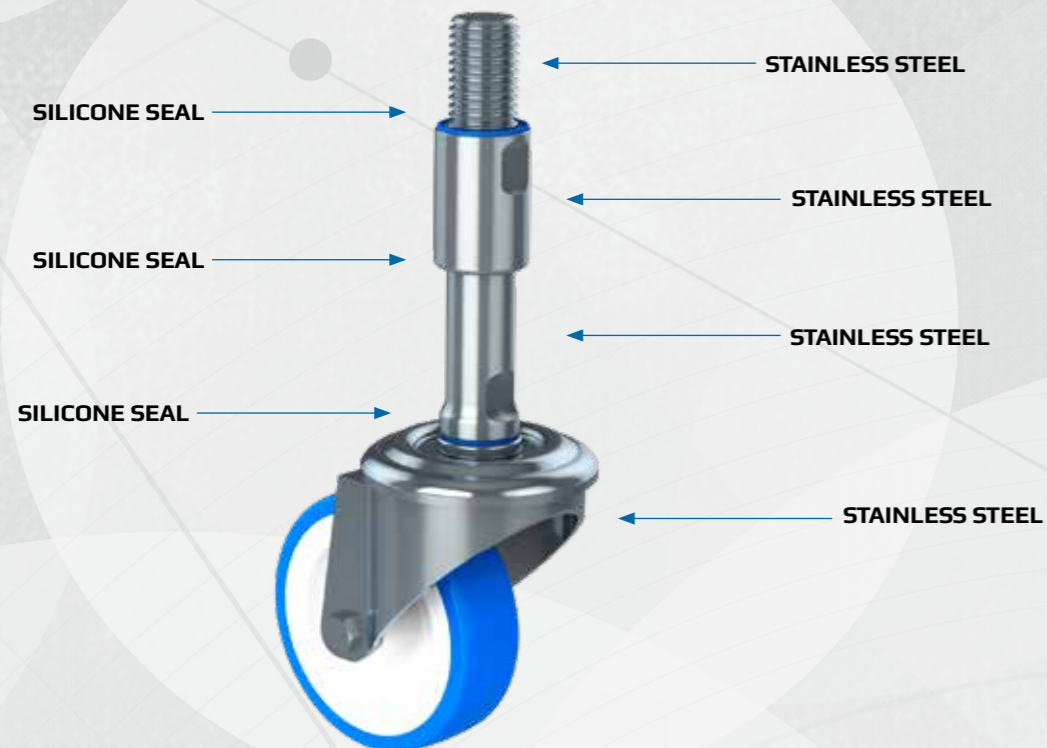
## DECLARATION OF CONFORMITY LEVELLING CASTORS



NGI fundamentally adheres to all applicable directives and standards. All information is based on the current state of knowledge and is subject to change. We attentively follow the revisions and amendments to these directives and will design our products accordingly. This ensures that products from NGI are always in compliance with currently valid requirements.

Our product category is not covered by the scope of application of the EC directive for machinery. For this reason, they cannot be furnished with the CE marking in accordance with the EC directive for machinery.

Furthermore, we declare that the listed materials applied in our products comply with the demands for materials used within the food and pharmaceutical industries.



## DECLARATION OF CONFORMITY LEVELLING CASTORS

### The declaration of materials concerns the following Applications

#### Application:

Material type:

Compliance:

#### Steel spindle and sleeve

Stainless steel, AISI 304/A2 (X5CrNi18-10), Euronorm 1.4301.

By request: Stainless steel, AISI 316/A4 (X 5 CrNiMo 17 12 2), Euronorm 1.4401  
EN 10204 Type 2.2. NGI A/S states that the product is in compliance with the order with indication of results of nonspecific inspection.

NGI has got EN 10204 type 3.1 inspection certificates on all material used in the products but not specified for each foot.

In the directive 94/9/EC, Equipment for potentially explosive atmospheres, also known as the ATEX directive, equipment without its own potential source of ignition are not covered, nor shall be marked according to the directive. However, NGI levelling feet are suitable for use in all ATEX zones.

#### Application:

Material type:

bearings

Dimensions:

Compliance:

#### Castor Description:

Stainless steel AISI 304/A2, 1.4301: Fork housing, wheel axle with nut and roller

White castor rim made of polyamide

Blue tread made from polyurethane

Wheel dimensions Ø80, Ø100, Ø125, Ø160 and Ø200

Load capacity tested according to EN 12532

#### Application:

Material type:

Electrically:

Chemical resistance:

Color:

Hardness:

Range of temperature:

Storage:

Compliance:

FDA:

RoHS 2:

GMP:

#### Sealing ring between steel components for NGI's castors.

Silicon rubber

Non-conductive

High to commonly applied cleaning agents

RAL 5010 (blue)

Shore A 60 ± 5

Min -60°C to Max +200 °C

According to ISO 2230

Guideline 21 CFR 177.2600

In accordance with the Directive 2011/65/EC OF EUROPEAN PARLIAMENT AND OF THE COUNCIL.

Good manufacturing process in accordance with 2023/2006 EC.